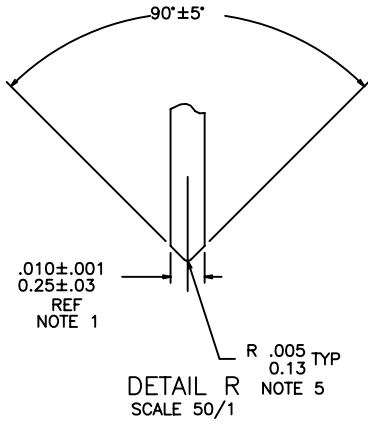
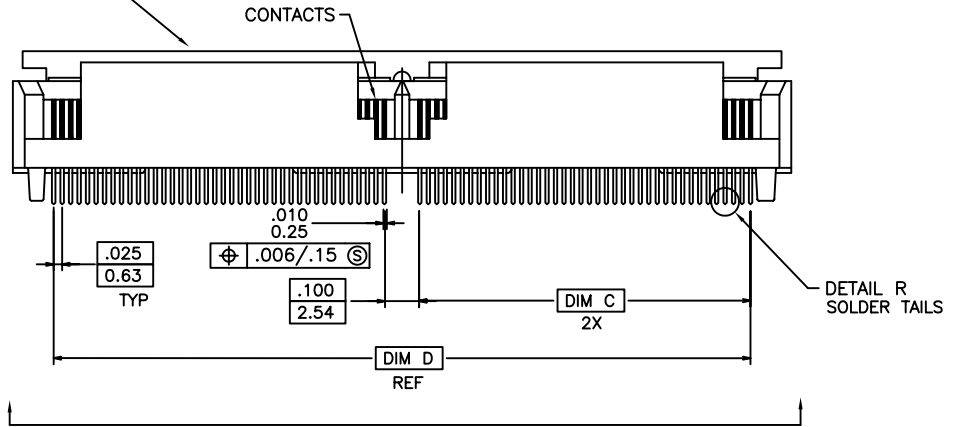
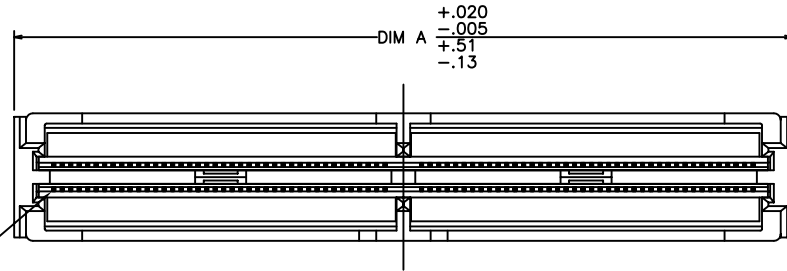
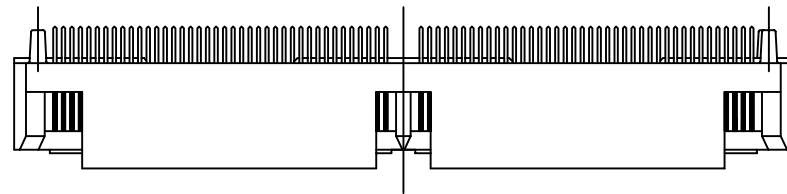
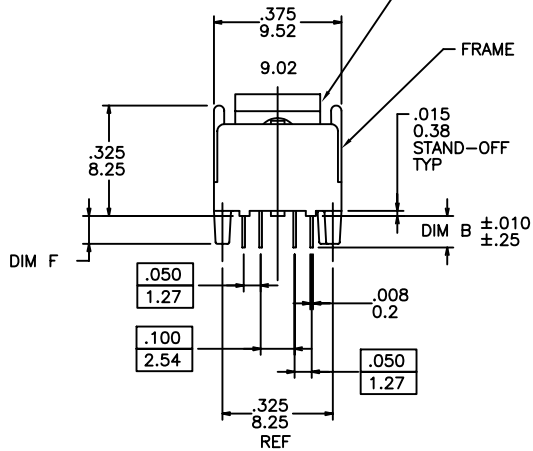


PRODUCT NO.
SEE TABLE



OPTIONAL PROTECTIVE DUST COVER
OUTSIDE PROFILE SHOWN ONLY
NOTE 4



VIEW K (SHEET 2)

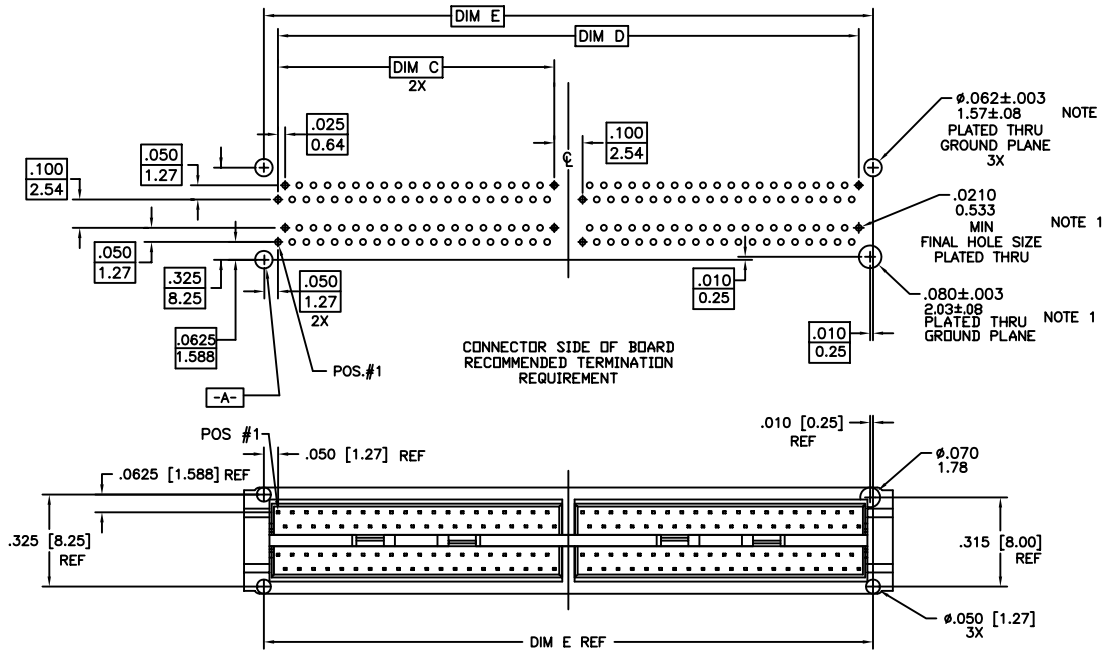
mat'l. code		surface ISO 1302 ✓		tolerance ISO 406 ISO 1101		projection ⊕		product family MICROPAX	
ltr		ecn no		date		tolerances unless otherwise specified		title	
K	V31907	MRC	11/4/93	angles	linear	.XX±.01/.3		MICROPAX .025M VERT. PLUG DOUBLE MODULE	
L	V32226	MRC	12/22/93	0°±2'		.XXX±.005/.13		dwg no	
M	V71417	MAP	10/6/97			.XXXX±.0020/.051		sheet 1 of 2 size	
N	V12555	CRG	11/8/01	dr	L.POTTEIGER	4/16/91		89649	
P	V20402	MEM	3/12/02	engr	T.LEMKE	4/16/91		A3	
R	M06-0222	AGS	6/9/06	chr	T.LEMKE	4/16/91		type Product Customer Drawing	
sheet index		revision		R	R				
		sheet		1	2				



Copyright FCI

PRODUCT NO	NO. OF CONTACTS	DIM A	DIM B	DIM C	DIM D	DIM E	DIM F	BOARD THICKNESS	DUST CAP
89649-001	160	2.290/58.17	.092/2.34	.975/24.76	2.050/52.07	2.150/54.61	.082/2.08	.062/1.58	NO
89649-002			.155/3.94				.144/3.66		

NOTE 3



BOTTOM VIEW K

NOTES:

- ① ALL BOARD HOLES $\varnothing \ .006/.15 \text{ } \textcircled{A} \text{ } \textcircled{S}$
- ② MATERIALS:
DIELECTRIC: LCP
CONTACTS: PHOS BRZ
FRAME: ZINC ALLOY #3
- ③ PLATING:
SOLDER TAILS: 150u"/3.81um Sn Pb
FRAME: 100u"/2.54um Ni
CONTACT: 30u"/.76um GXT OVER 50u"/1.27um Ni

LEAD FREE PLATING:
SOLDER TAILS: 150u"/3.81um Sn
FRAME: 100u"/2.54um Ni
CONTACT: 30u"/.76um GXT OVER 50u"/1.27um Ni
- ④ ADD "LF" SUFFIX AT THE END OF PART NUMBER FOR LEAD FREE OPTION.
- ⑤ IF "LF" P/N THE PRODUCT MEETS EUROPEAN UNION DIRECTIVES AND OTHER COUNTRY REGULATION AS DIRECTIVES AND OTHER COUNTRY REGULATION AS
- ⑥ DO NOT REMOVE OPTIONAL PROCESSING CAP UNTIL SOLDERING IS COMPLETED.
- ⑦ .002/.05 MAX BURR PERMITTED.



FCIconnect.com

Copyright FCI

mat'l. code		surface ISO 1302 <input checked="" type="checkbox"/> ISO 406 ISO 1101		tolerance ISO 406 ISO 1101		projection 		product family MICROPAX	
ltr		ecn		no		dr		date	
R									
		angles		linear		.XX±.01/.3		INCH/MM	
		0°±2'				.XXX±.005/.13		scale 1:1	
						.XXX±.0020/.051		dwg no	
		dr		L.POTTEIGER		4/16/91		sheet 2 of 2 size	
		enr		T.LEMKE		4/16/91		89649	
		chr		T.LEMKE		4/16/91		A3	
		appd		T.LEMKE		4/16/91		type Product Customer Drawing	
sheet index		revision sheet							